


ACCURATE CUSTOM




INJECTION MOLDING

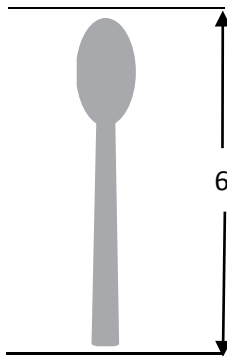
www.acimoplastics.com

2646 Baylor Drive SE, Albuquerque, NM 87106

 (505) 764.1898

 (505) 242.5914

Styrene Spoon



6" Overall Length

Item Number 2668UJ-2

Standard colors are white, natural and beige. Custom colors also available.

Case Size: 1000 units

Case Weight: 12 lbs

Case Cube: 16" X 7.5" X 8"

Cases per Pallet: 200


ACCURATE CUSTOM




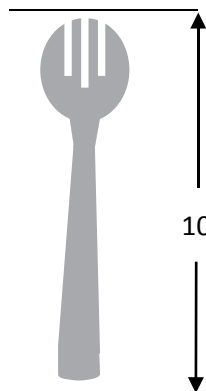
INJECTION MOLDING

www.acimplastics.com

2646 Baylor Drive SE, Albuquerque, NM 87106

 (505) 764.1898

 (505) 242.5914



10" Overall Length

Styrene Serving Fork

Item Number CFK10

Standard colors are black, white, natural and beige. Custom colors also available.

Case Size: 100 units

Case Weight: 4 lbs

Case Cube: 10" X 7" X 5"

Cases per Pallet: 200

ACCURATE CUSTOM



INJECTION MOLDING

www.acimplastics.com

2646 Baylor Drive SE, Albuquerque, NM 87106

(505) 764.1898

(505) 242.5914

Styrene Fork

Item Number 380-UD-2

Standard colors are white, natural and beige. Custom colors also available.

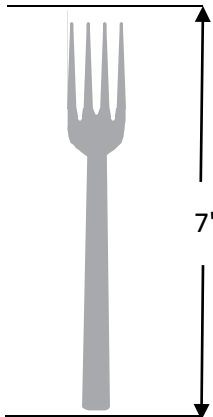
7" Overall Length

Case Size: 600 units

Case Weight: 11 lbs

Case Cube: 15.75" X 7.5" X 6.875"

Cases per Pallet: 200




ACCURATE CUSTOM




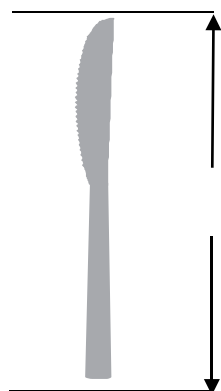
INJECTION MOLDING

www.acimplastics.com

2646 Baylor Drive SE, Albuquerque, NM 87106

 (505) 764.1898

 (505) 242.5914



7" Overall Length

Styrene Knife

Item Number 399UD-2

Standard colors are white, natural and beige. Custom colors also available.

Case Size: 1000 units

Case Weight: 15 lbs

Case Cube: 16" X 7.5" X 8"

Cases per Pallet: 200

ACCURATE CUSTOM

www.acimplastics.com



INJECTION MOLDING

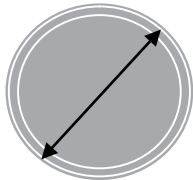
2646 Baylor Drive SE, Albuquerque, NM 87106

(505) 764.1898

(505) 242.5914

8-32 oz Round Lid

4.6875" Outside Diameter



4.5" Inside Diameter

Item Number LD-100
Artwork Space 3.75" Diameter Circle

Standard colors are white and natural. Custom colors also available.

Case Size: 1000 units
Case Weight: 24 lbs
Case Cube: 24.25" X 17.25" X 19.5"
Cases per Pallet: 16

Assumes submission of acceptable artwork. Artwork services are available for an additional charge.

Customer must specify textured or smooth finish.

Matches All Round Containers 8-32 oz.


ACCURATE CUSTOM




INJECTION MOLDING

www.acimplastics.com

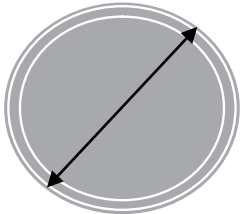
2646 Baylor Drive SE, Albuquerque, NM 87106

 (505) 764.1898

 (505) 242.5914

48 oz Round Lid

5.9375" Outside Diameter



5.75" Inside Diameter

Item Number LD-150
Artwork Space 5" Diameter Circle

Standard colors are white and natural. Custom colors also available.

Case Size: 500 units
Case Weight: 35 lbs
Case Cube: 20 X 20 X 20
Cases per Pallet: 20

Assumes submission of acceptable artwork. Artwork services are available for an additional charge.

Customer must specify textured or smooth finish.

Matches CP-148.


ACCURATE CUSTOM




INJECTION MOLDING

www.acimplastics.com

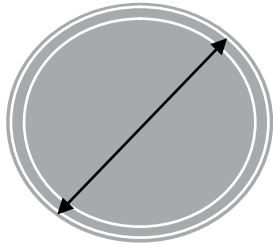
2646 Baylor Drive SE, Albuquerque, NM 87106

 (505) 764.1898

 (505) 242.5914

56/64 oz Round Lid

6.1875" Outside Diameter



6" Inside Diameter

Item Number LD-200
Artwork Space 5.25" Diameter Circle

Standard colors are white and natural. Custom colors also available.

Case Size: 500 units
Case Weight: 35 lbs
Case Cube: 20 X 20 X 20
Cases per Pallet: 20

Assumes submission of acceptable artwork. Artwork services are available for an additional charge.

Customer must specify textured or smooth finish.

Matches CP-164.


ACCURATE CUSTOM




INJECTION MOLDING

www.acimplastics.com

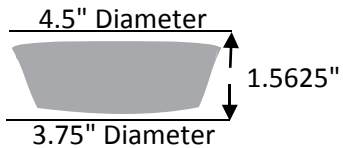
2646 Baylor Drive SE, Albuquerque, NM 87106

 (505) 764.1898

 (505) 242.5914

8 oz Round Container

Item Number CP-108



Standard colors are white and natural. Custom colors also available.

Case Size: 600 units

Case Weight: 20 lbs

Case Cube: 23" X 19" X13"

Cases per Pallet: 20

Assumes submission of acceptable artwork. Artwork services are available for an additional charge.

Customer must specify textured or smooth finish.

Matching Lid: LD-100

ACCURATE CUSTOM

acim

MADE IN
USA

INJECTION MOLDING

www.acimplastics.com

2646 Baylor Drive SE, Albuquerque, NM 87106

☎ (505) 764.1898

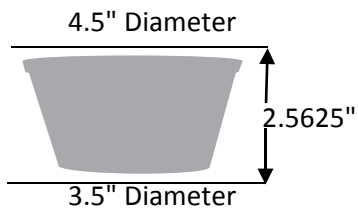
☎ (505) 242.5914

12 oz Round Container

Item Number CP-112
Artwork Space 1.678" X 11.66"

Standard colors are white and natural. Custom colors also available.

Case Size: 500 units
Case Weight: 23 lbs
Case Cube: 23.25" X 19.25" X 13.50"
Cases per Pallet: 20



Assumes submission of acceptable artwork. Artwork services are available for an additional charge.

Customer must specify textured or smooth finish.

Matching Lid: LD-100

ACCURATE CUSTOM



INJECTION MOLDING

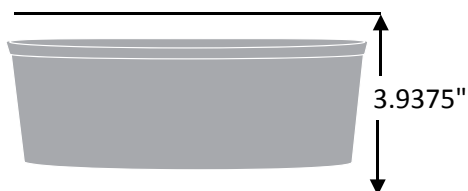
www.acimplastics.com

2646 Baylor Drive SE, Albuquerque, NM 87106

(505) 764.1898

(505) 242.5914

5.1875" X 3.8125"



4.375" X 3.125"

16 oz Oval with Custom IML Label

Artwork Space 2.375" X 13.25"

Standard cup colors are white and natural. Custom colors also available.

Case Size: 500 units
Case Weight: 25 lbs
Case Cube: 23.25" X 19.25" X 13.50"
Cases per Pallet: 20

Assumes submission of acceptable artwork. Artwork services are available for an additional charge.
Customer must specify textured or smooth finish.
Call for lid information.

ACCURATE CUSTOM



INJECTION MOLDING

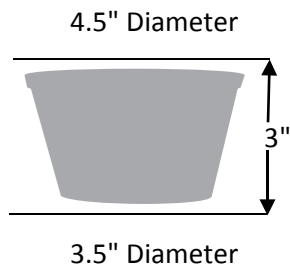
www.acimplastics.com

2646 Baylor Drive SE, Albuquerque, NM 87106

(505) 764.1898

(505) 242.5914

16 oz Round Container



Item Number CP-116
Artwork Space 2.3681" X 11.9631"

Standard colors are white and natural. Custom colors also available.

Case Size: 500 units
Case Weight: 25 lbs
Case Cube: 23.25" X 19.25" X 13.50"
Cases per Pallet: 20

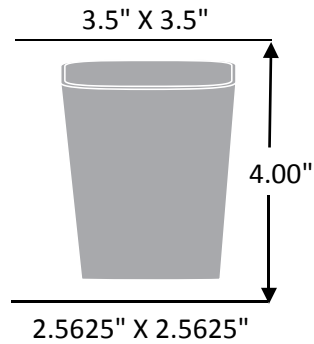
Assumes submission of acceptable artwork. Artwork services are available for an additional charge.

Customer must specify textured or smooth finish.

Matching Lid: LD-100



16 oz Square Container with Custom IML Label



Item Number CP-116-SQ
Artwork Space 8.731" X 11.315"

Standard cup colors are white and natural. Custom colors also available.

Case Size: 570
Case Weight: 34
Case Cube: 24" X 17" X 19"
Cases per Pallet: 20

Assumes submission of acceptable artwork. Artwork services are available for an additional charge.
Customer must specify textured or smooth finish.
Call for lid information.

ACCURATE CUSTOM



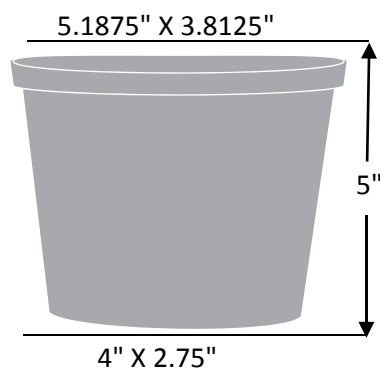
INJECTION MOLDING

www.acimplastics.com

2646 Baylor Drive SE, Albuquerque, NM 87106

(505) 764.1898

(505) 242.5914



32 oz Oval with Custom IML Label

Artwork Space 5.324" X 13.89"

Standard cup colors are white and natural. Custom colors also available.

Case Size: 220 units
Case Weight: 20 lbs
Case Cube: 19.25" X 23.5" X 13.25"
Cases per Pallet: 20

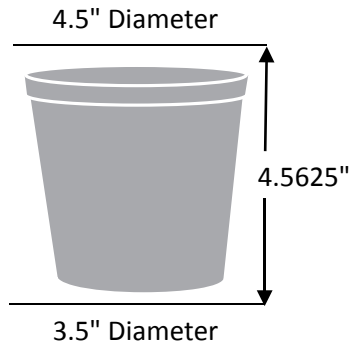
Assumes submission of acceptable artwork. Artwork services are available for an additional charge.

Customer must specify textured or smooth finish.

Call for lid information.



32 oz Round Container (Available with Optional Handle)



Item Number CP-132S
 Artwork Space 3.875" X 12.5"

Standard cup colors are white and natural. Custom colors also available.

Case Size: 220 units
 Case Weight: 20 lbs
 Case Cube: 19.25" X 23.5" X 13.25"
 Cases per Pallet: 20

Assumes submission of acceptable artwork. Artwork services are available for an additional charge.
 Customer must specify textured or smooth finish.
 When ordered, handle comes unattached in box.
 Matching Lid: LD-100

ACCURATE CUSTOM



INJECTION MOLDING

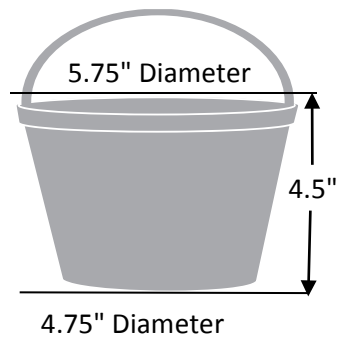
www.acimplastics.com

2646 Baylor Drive SE, Albuquerque, NM 87106

(505) 764.1898

(505) 242.5914

48 oz Round Container (Shown with Optional Handle)



Item Number CP-148
Artwork Space 17.293" X 4.349"

Standard cup colors are white and natural. Custom colors also available.

Case Size: 160 units
Case Weight: 17 lbs
Case Cube: 12" X 24" X 19"
Cases per Pallet: 24

Assumes submission of acceptable artwork. Artwork services are available for an additional charge.

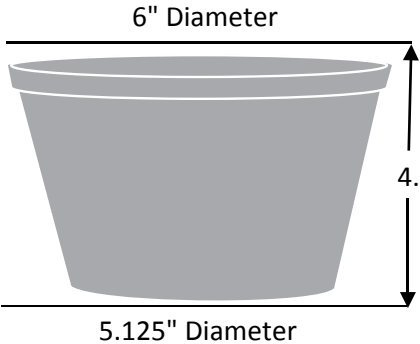
Customer must specify textured or smooth finish.

When ordered, handle comes unattached in box.

Matching Lid: LD-150



56/64 oz Round Container with Custom IML Label



Item Number	CP-164
Artwork Space	3.625" X 16.25"
Standard colors are white and natural. Custom colors also available.	
Case Size:	250 units
Case Weight:	30 lbs
Case Cube:	20" X 20" X 20"
Cases per Pallet:	20

Assumes submission of acceptable artwork. Artwork services are available for an additional charge.
 Customer must specify textured or smooth finish.
 Matching Lid: LD-200



12 oz Drink Cup Lid

5.9375" Outside Diameter



5.75" Inside Diameter

Item Number LD-KDW

Standard color is white. Custom colors also available.

Case Size: 500 units
Case Weight: 6 lbs
Case Cube: 16.5" X 13.5" X 7"
Cases per Pallet: 54

Matches CP-212.

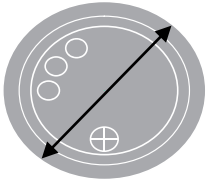
This item may be used to create como packs with lids & straws.



Drink Cup Lid

Item Number LD-232

4.1875" Outside Diameter



4" Inside Diameter

Standard colors are white, yellow or red. Custom colors also available.

Case Size: 450 units
Case Weight: 8 lbs
Case Cube: 13" X 13" X 12"
Cases per Pallet: 54

Packaged in sleeves of 125.

Matches all drink cups except 12 oz.

This item may be used to create como packs with lids & straws.


ACCURATE CUSTOM




INJECTION MOLDING

www.acimplastics.com

2646 Baylor Drive SE, Albuquerque, NM 87106

 (505) 764.1898

 (505) 242.5914

3.25" Diameter



2.25" Diameter

12 oz Drink Cup

Item Number CP-212
Artwork Space 9.486" X 4.799"

Standard cup colors are white and natural. Custom colors also available.

Case Size: 250 units
Case Weight: 11 lbs
Case Cube: 13" X 13" X 12"
Cases per Pallet: 64

Assumes submission of acceptable artwork. Artwork services are available for an additional charge.

Colored Lid and Straw Available

Customer must specify textured or smooth finish.

ACCURATE CUSTOM



INJECTION MOLDING

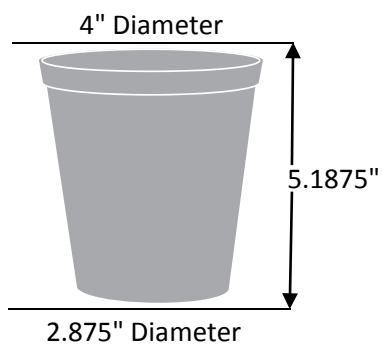
www.acimplastics.com

2646 Baylor Drive SE, Albuquerque, NM 87106

(505) 764.1898

(505) 242.5914

22 oz Drink Cup



Item Number CP-222
Artwork Space 4.495" X 10.358"

Standard cup colors are white and natural. Custom colors also available.

Case Size: 400 units
Case Weight: 25 lbs
Case Cube: 20" X 20" X 20"
Cases per Pallet: 16

Assumes submission of acceptable artwork. Artwork services are available for an additional charge.

Colored Lid and Straw Available

Customer must specify textured or smooth finish.

ACCURATE CUSTOM



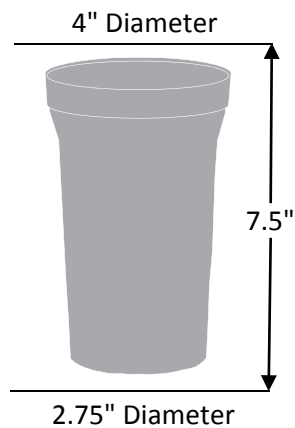
INJECTION MOLDING

www.acimplastics.com

2646 Baylor Drive SE, Albuquerque, NM 87106

(505) 764.1898

(505) 242.5914



32 oz Sleek Drink Cup

Items Number CP-332
Artwork Space 10.784" X 6.4625"

Standard cup colors are white and natural. Custom colors also available.

Case Size: 330 units
Case Weight: 33 lbs
Case Cube: 25.25" X 17" X 16.875"
Cases per Pallet: 20

Assumes submission of acceptable artwork. Artwork services are available for an additional charge.

Colored Lid and Straw Available

Customer must specify textured or smooth finish.

ACCURATE CUSTOM



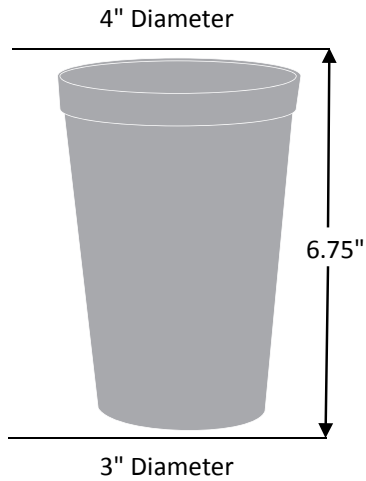
INJECTION MOLDING

www.acimplastics.com

2646 Baylor Drive SE, Albuquerque, NM 87106

(505) 764.1898

(505) 242.5914



32 oz Straight Wall Drink Cup

Item Number CP-232
Artwork Space 11.993" X 6.8257"

Standard cup colors are white and natural. Custom colors also available.

Case Size: 330 units
Case Weight: 33 lbs
Case Cube: 25.25" X 17" X 16.875"
Cases per Pallet: 20

Assumes submission of acceptable artwork. Artwork services are available for an additional charge.

Colored Lid and Straw Available

Customer must specify textured or smooth finish.

ACCURATE CUSTOM



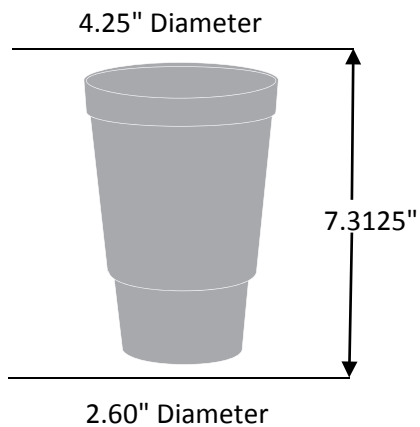
INJECTION MOLDING

www.acimplastics.com

2646 Baylor Drive SE, Albuquerque, NM 87106

(505) 764.1898

(505) 242.5914



32 oz Car Drink Cup

Item Number CP-432

Standard cup colors are white and natural. Custom colors also available.

Case Size: 330 units

Case Weight: 33 lbs

Case Cube: 25.25" X 17" X 16.875"

Cases per Pallet: 20

Assumes submission of acceptable artwork. Artwork services are available for an additional charge.

Colored Lid and Straw Available

Customer must specify textured or smooth finish.


ACCURATE CUSTOM




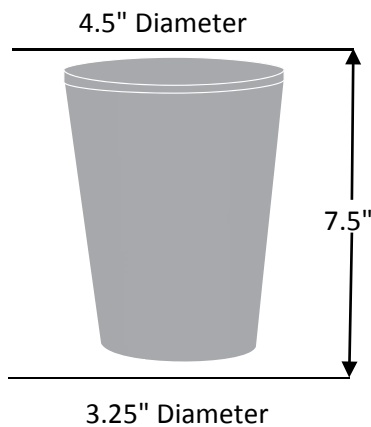
INJECTION MOLDING

www.acimplastics.com

2646 Baylor Drive SE, Albuquerque, NM 87106

 (505) 764.1898

 (505) 242.5914



44 oz Drink Cup

Item Number CP-244

Standard cup colors are white and natural. Custom colors also available.

Case Size: 250 units
Case Weight: 33 lbs
Case Cube: 23" X 14" X 20"
Cases per Pallet: 24

Assumes submission of acceptable artwork. Artwork services are available for an additional charge.

Colored Lid and Straw Available

Customer must specify textured or smooth finish.